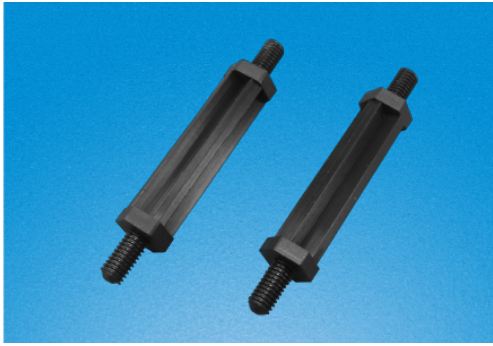


RCCN 日成PC板外螺纹隔离柱 Male-Female Threaded Standoff



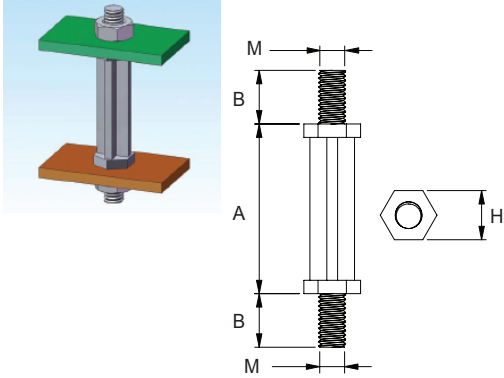
材质：UL合格之NYLON66(黑色)，防火等级94V-2，绝缘性佳，不易老化。
用法：先将基板钻孔，再将隔离柱由底面往上推入固定後，再把PC板固定即可。
特点：配合螺丝螺母固定，方便拆装。
黑色为标准色，本色起订量5K以上。

型号例:HTM-M4-10
Material : UL approved NYLON66(black), fireproof 94V-2, good insulation,good aging resistant.

Black is standard color, MOQ 5000PCS for natural
Part no.:HTM-M4-10

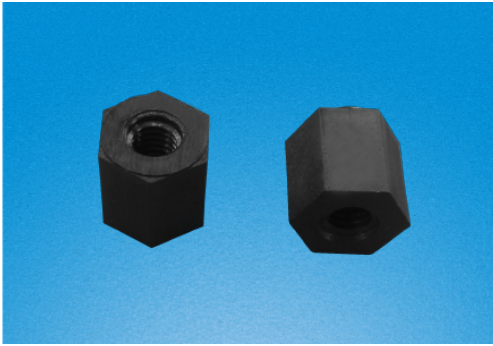
本系列根据网页更新型号为准

单位/Unit:mm



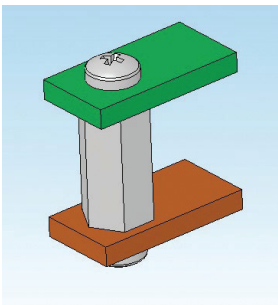
型号 Item No.		内螺纹 Inner thread M	间距 Instance A	长度 Length B	对边 Co-side W	包装 Packing
黑色/Black	本色/Natural					
HTMB-M3-6	HTM-M3-6	M3	6	6	6	1000pcs
HTMB-M3-8	HTM-M3-8	M3	8	6	6	
HTMB-M3-10	HTM-M3-10	M3	10	6	6	
HTMB-M3-12	HTM-M3-12	M3	12	6	6	
HTMB-M3-15	HTM-M3-15	M3	15	6	6	
HTMB-M3-20	HTM-M3-20	M3	20	6	6	
HTMB-M3-25	HTM-M3-25	M3	25	6	6	
HTMB-M3-30	HTM-M3-30	M3	30	6	6	
HTMB-M4-6	HTM-M4-6	M4	6	6.4	8	
HTMB-M4-8	HTM-M4-8	M4	8	6.4	8	
HTMB-M4-10	HTM-M4-10	M4	10	6.4	8	
HTMB-M4-12	HTM-M4-12	M4	12	6.4	8	
HTMB-M4-15	HTM-M4-15	M4	15	6.4	8	
HTMB-M4-20	HTM-M4-20	M4	20	6.4	8	
HTMB-M4-25	HTM-M4-25	M4	25	6.4	8	
HTMB-M4-30	HTM-M4-30	M4	30	6.4	8	

RCCN 日成PC板内螺纹隔离柱 Male-Female Threaded Standoff

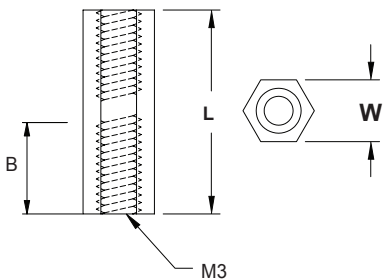


* 为现有产品，其它规格根据网页更新为准

单位/Unit:mm



Material:black nylon+glass fiber
材质:黑色尼龙玻纤
高强度不易滑牙。



B=L-2MM,最大10MM
B=L-2MM, Max. 10MM

型号 Item No.	内螺纹 Inner thread M	高度 Height L	螺纹长度 Thread Length B	对边 Co-side W	包装 Packing
* HTFB-M3-6	M3	6	-	6	1000pcs
HTFB-M3-8	M3	8	-	6	
* HTFB-M3-10	M3	10	-	6	
HTFB-M3-12	M3	12	-	6	
* HTFB-M3-20	M3	20	-	6	
HTFB-M3-24	M3	24	-	6	
HTFB-M3-30	M3	30	-	6	
HTFB-M4-6	M4	6	-	8	1000pcs
HTFB-M4-8	M4	8	-	8	
* HTFB-M4-10	M4	10	-	8	
* HTFB-M4-16	M4	16	-	8	
* HTFB-M4-20	M4	20	-	8	
HTFB-M4-25	M4	25	-	8	
* HTFB-M4-30	M4	30	-	8	
HTFB-M4-35	M4	35	-	8	
HTFB-M5-6	M5	6	-	10	1000pcs
HTFB-M5-8	M5	8	-	10	
HTFB-M5-10	M5	10	-	10	
HTFB-M5-12	M5	12	-	10	
HTFB-M5-15	M5	15	-	10	
HTFB-M5-20	M5	20	-	10	
HTFB-M5-25	M5	25	-	10	
HTFB-M5-30	M5	30	-	10	
HTFB-M6-6	M6	6	-	10	1000pcs
HTFB-M6-8	M6	8	-	10	
HTFB-M6-10	M6	10	-	10	
HTFB-M6-12	M6	12	-	10	
HTFB-M6-15	M6	15	-	10	
HTFB-M6-20	M6	20	-	10	
HTFB-M6-25	M6	25	-	10	
HTFB-M6-30	M6	30	-	10	